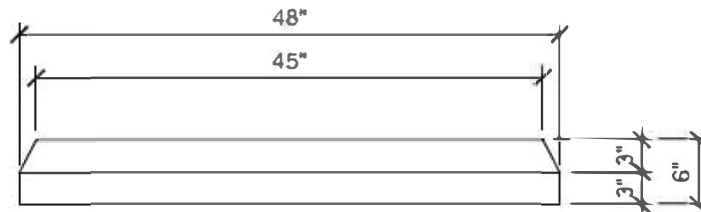
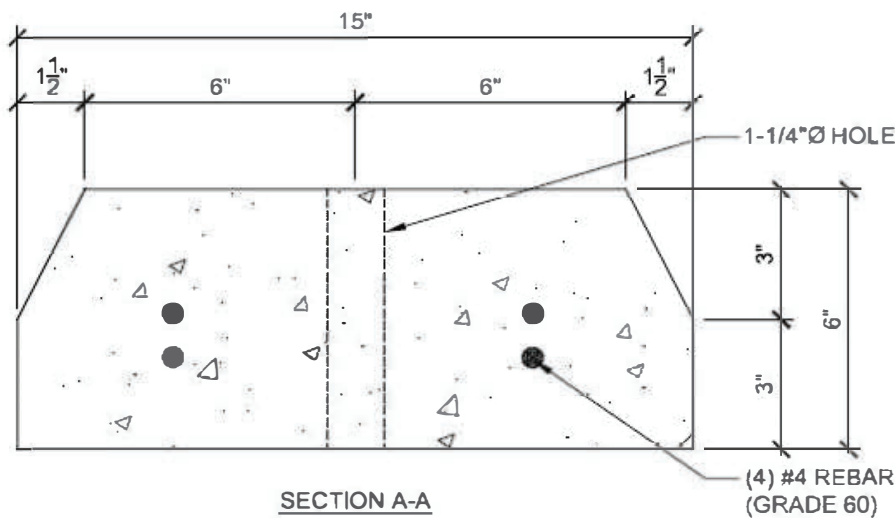


PLAN



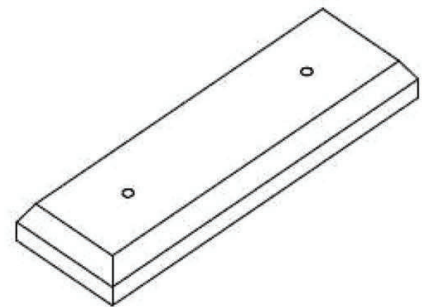
ELEVATION

The warehouse Curbo!



SECTION A-A

(4) #4 REBAR
(GRADE 60)



NOTES: 5500 PSI Air Entrained Concrete 340 lbs

ZTEC Curbo

- 1 per stall
- Driver side only
- Flat parking spots only
- Recommend painting yellow

**NEW
FOR
2026**

