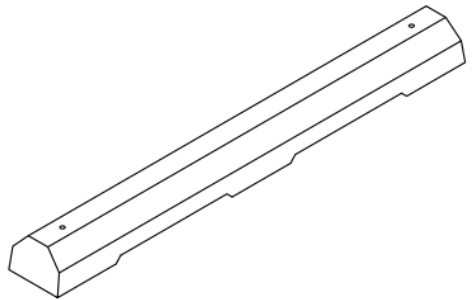
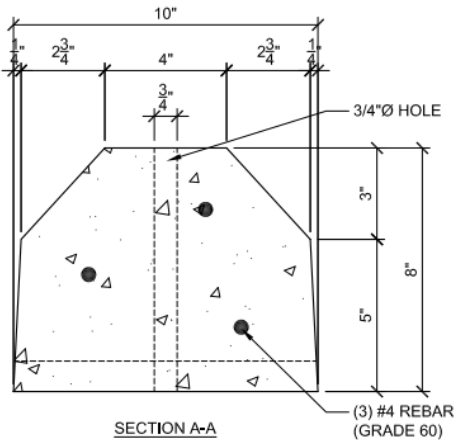
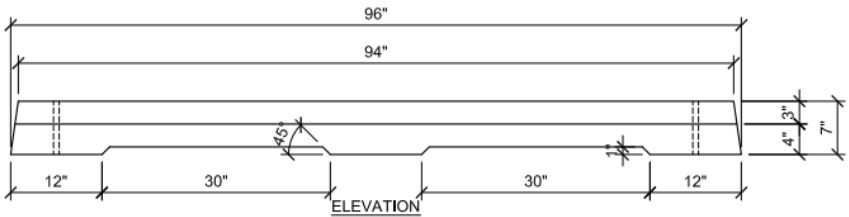
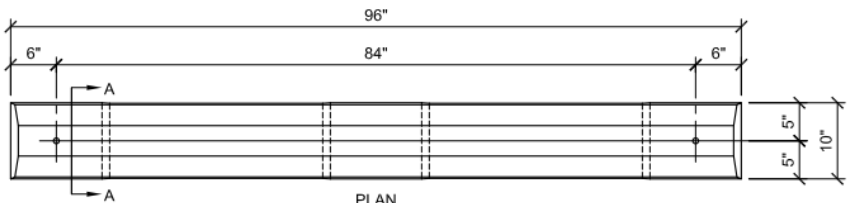


#TCH1

Basic High Truck Curbo



NOTES: 5500 PSI Air Entrained Concrete 545 lbs

Truck Curb High