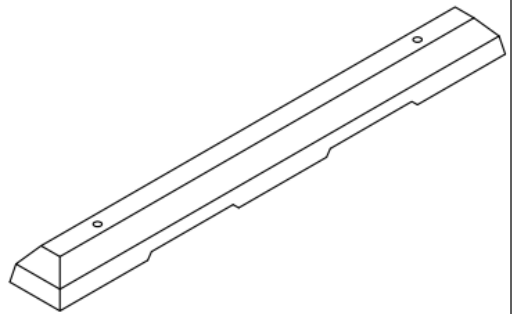
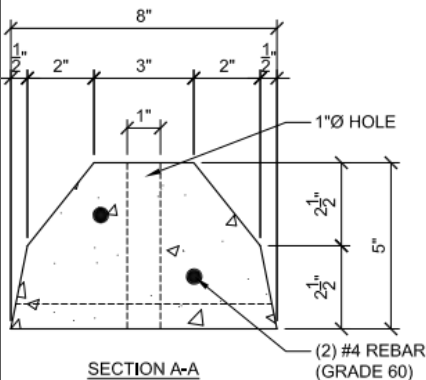
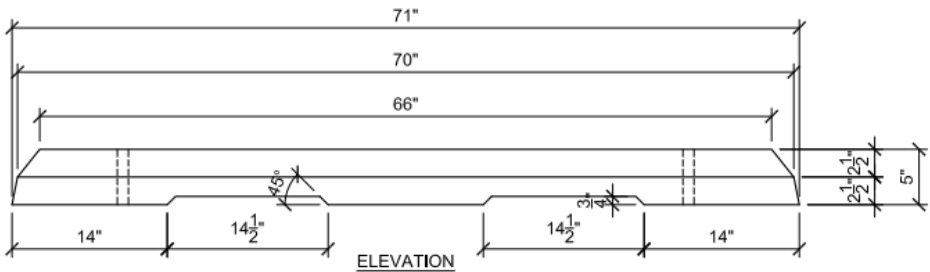
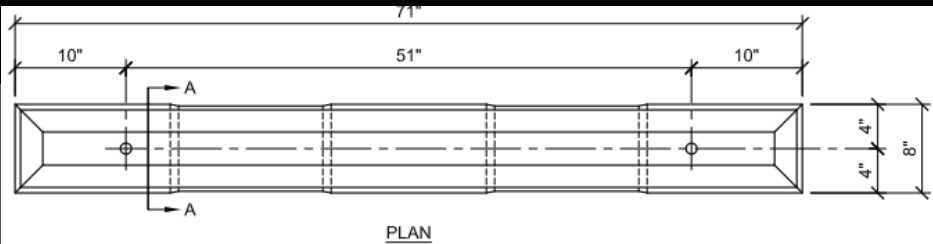


# #CCSCF

D.O.T. Certified parking curb  
for government projects



5500 PSI Air Entrained Concrete 185 lbs

Car Curb Standard (Slotted) W/ #4 Rebar