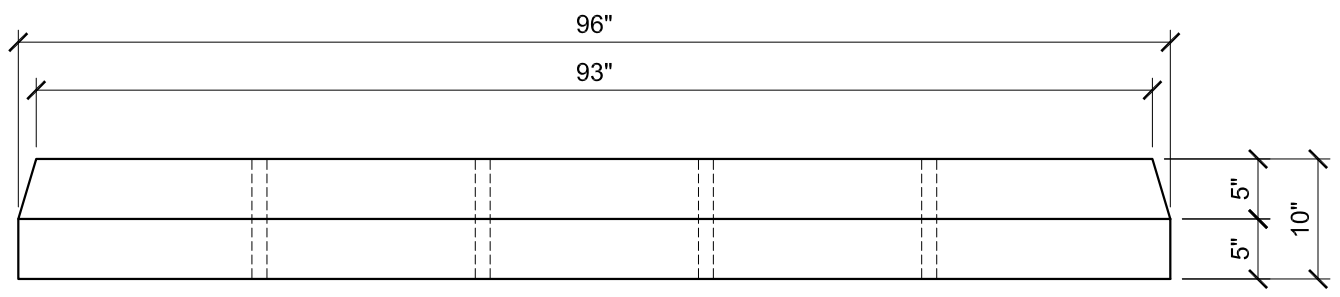
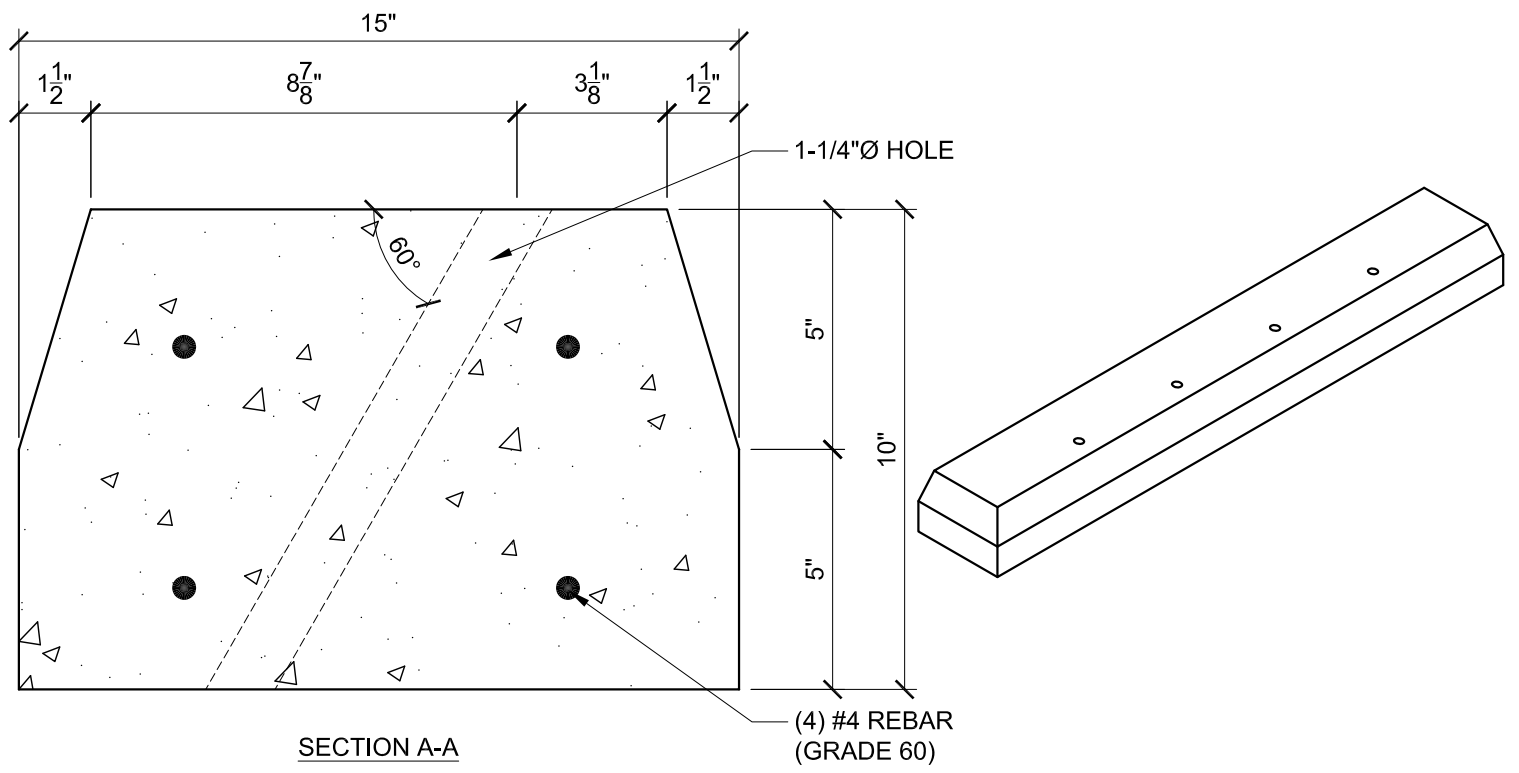


PLAN



ELEVATION



SECTION A-A

(4) #4 REBAR
(GRADE 60)

NOTES: 5500 PSI Air Entrained Concrete 1130 LBS

AZ Truck Curb



7 South Kinzer Rd. Ph: 717.442.CURB (2872)
 PO Box 132 Fax: 717.442.4873
 Kinzers, PA 17535 Web: www.curboparkingcurbs.com

DRAWING #: AZTC
 DRAWN BY: CWW
 DATE: 01/06/21
 REVISED:
 BY: